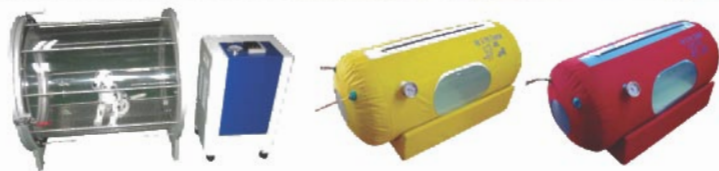




# Hyperbaric Oxygen Therapy For Pets



[www.thepetsland.com](http://www.thepetsland.com)  
The Petsland International Co. Ltd.

## Hyperbaric Oxygen Therapy (HBOT)

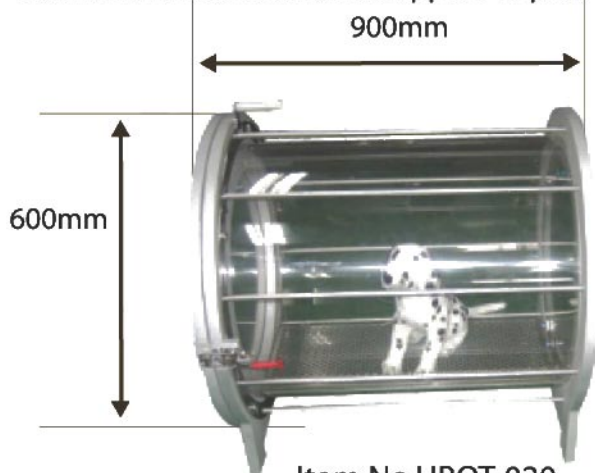
**for Pets** is the medical use of oxygen at a level higher than atmospheric pressure.

Oxygen is normally supplied by inhalation to our body. It combines with hemoglobin inside of the red corpuscle (Bonded oxygen). HBOT machine induces hyper pressure. It can increase the concentration of the melted oxygen in liquid (melted oxygen). The melted oxygen supplies directly to each cell.

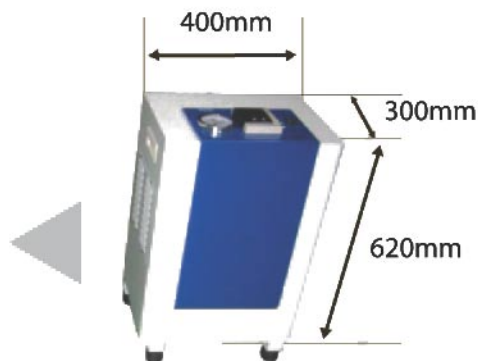
Adequate tissue perfusion and sufficient oxygen supply are two basic requirements for the body's healing responses. Without these the tissues enter a hypoxic state. Hypoxia impairs many healing processes – collagen synthesis, bacterial killing, angiogenesis, and epithelialization. Hypoxia slows wound healing and favors bacterial growth.

HBOT accelerates normal healing mechanisms. The increased concentration of oxygen dissolved in plasma reaches tissues with poor or compromised vascular supply (increased diffusion distance). Tissue oxygenation is also improved as the resultant vasoconstriction decreases edema (decreased intercapillary distance). HBOT stimulates the proliferation of fibroblasts and endothelial cells for at least three days post-treatment. Oxygen is delivered to the tissues at levels that actually inhibit bacterial growth. Tissue oxygen tension has been shown to be the most important local factor affecting oxidative leucocyte killing.

HBOT potentiates the activity of many antibiotics and increases their tissue penetration. HBOT decreases the growth and viability of many microorganisms while enhancing antibiotic effectiveness and the patient's immune response. HBOT has been widely used in human such as sports medicine, plastic surgery, and health industries. Now it applies to pets.



Item No.HBOT-020  
Weight: 60kgs



**Oxygen Concentrator**  
Weight: 40kgs

## Benefit of Using HBOT

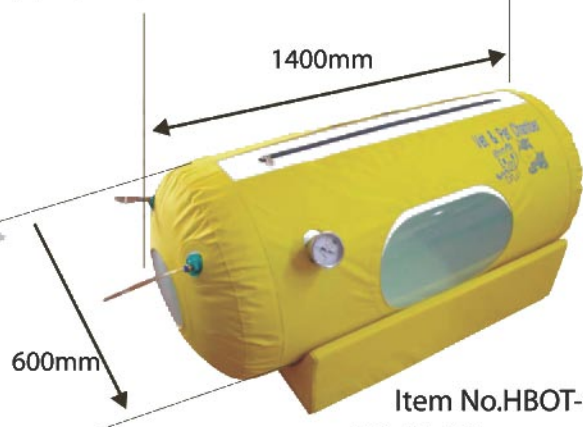
The postoperative patient benefits greatly from HBOT. Immediate results include the reduction of tissue swelling and inflammation - and the decrease in pain associated with these processes. Some examples of surgical procedures that benefit particularly from HBOT include:

- ★ Gastric dilation and volvulus, and the associated reperfusion injuries
- ★ Fracture repair, especially open fractures or those involving malunion or nonunion
- ★ Gastrointestinal resection and anastomosis, especially post-foreign body obstruction
- ★ Amputations   ★ Skin grafts   ★ Hemilaminectomy
- ★ Ear canal ablation

Early HBOT greatly improves the prognosis for many acute conditions and decreases the likelihood of their becoming chronic problems. Some examples of these conditions include:

- ★ Wounds - especially degloving, necrotic, and non-healing wounds
- ★ Osteomyelitis
- ★ Neuropathies - including nonsurgical intervertebral disc disease and limb paralysis/paresis
- ★ Crush injuries
- ★ Burns and smoke inhalation
- ★ Peritonitis
- ★ Head and spinal cord trauma
- ★ Otitis - especially involving Pseudomonas as HBOT breaks down the organism's defenses and greatly increases drug penetration
- ★ Anoxia
- ★ Pant

Hyperbaric Oxygen Therapy is an important tool in companion animal medicine. It also improves metabolism, aging and stress problem. From the canine athlete to the family pet, the possibilities for this treatment modality are endless.



Item No.HBOT-018

Weight: 11kgs



Item No.HBOT-019



## Test Result of Dog:

Oxygen concentration of the blood in the dog:

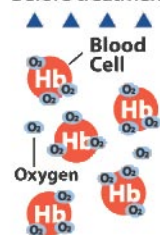
Before treatment : 110 mmHg

After 40 minutes treatment : 246.4 mmHg

(Oxygen concentration in the body has been increased more than twice)

## Oxygen concentration of the blood

Before treatment



After treatment



Website: [www.thepetsland.com](http://www.thepetsland.com)

email: [info@thepetsland.com](mailto:info@thepetsland.com)

The Petsland International Co. Ltd.

Office: Unit A, 17/F, Roxy Industrial Centre, 58-66 Tai Lin Pai Road,  
Kwai Chung, Hong Kong.

Tel: (852) 2422 2977 Fax: (852) 2422 4326